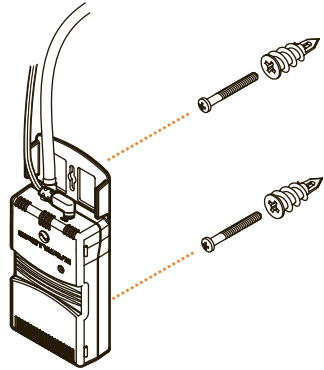
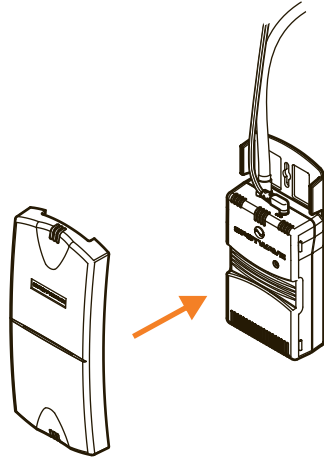


- 11 Mount the Coverage Unit.** The Coverage Unit must be located at least 3 feet away from where a mobile phone, cordless phone, WiFi device or microwave oven would typically be used. For details on mounting options, please refer to the User Manual.



- 12 Fit cover onto Coverage Unit.**



The installation is now complete. For more information on mounting options and system optimization please refer to the Z1900 User Manual.

Quick Start Guide

This guide is intended for setting up the Network Access Unit indoors. If you cannot make calls with your mobile phone from anywhere inside your home, then please refer to the Z1900 User Manual for instructions on mounting the Network Access Unit outdoors.



© 2006 Spotwave Wireless Inc. All rights reserved.
Z1900, Spotwave Wireless and Spotwave Wireless logo are trademarks of Spotwave Wireless Inc.
Patents pending.

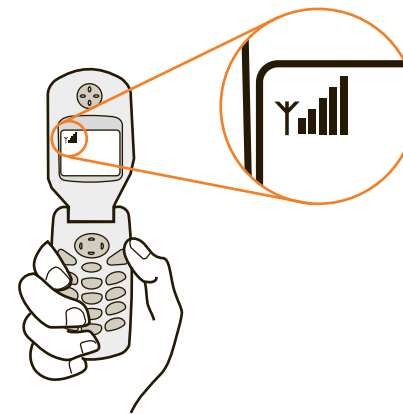
Product and service availability subject to change without notice.

Spotwave Wireless, Inc., 1 Hines Road, Suite 204, Ottawa ON K2K 3C7 Canada
www.spotwave.com

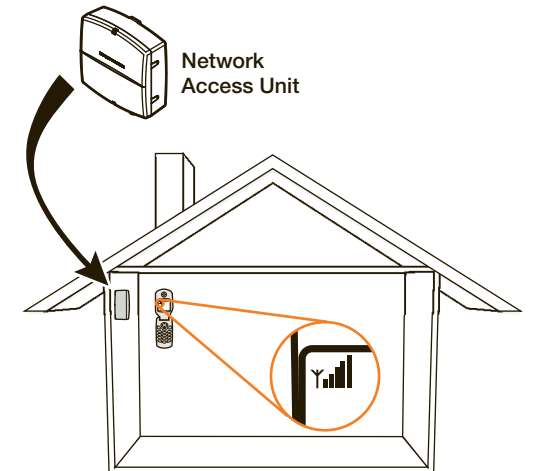
Printed in Canada

780-00041-01-03

- 1 Locate the area with the strongest signal.** This area is usually near an exterior wall.



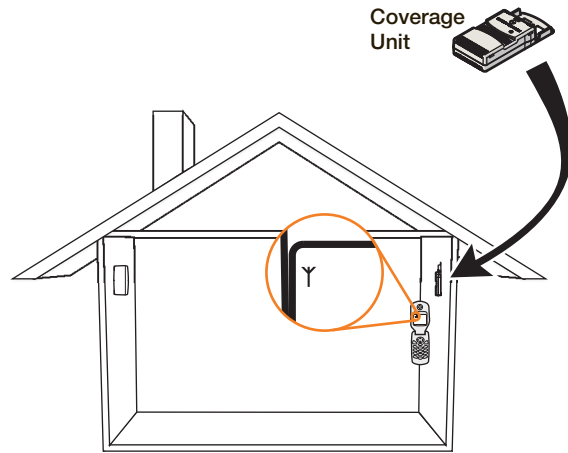
- 2 Temporarily position the Network Access Unit** against the inside of the exterior wall in the area that showed the strongest signal.



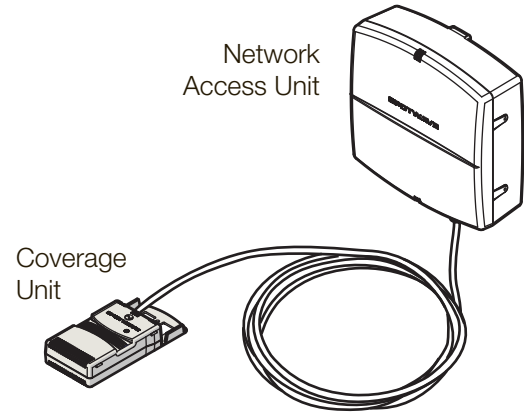
Z1900



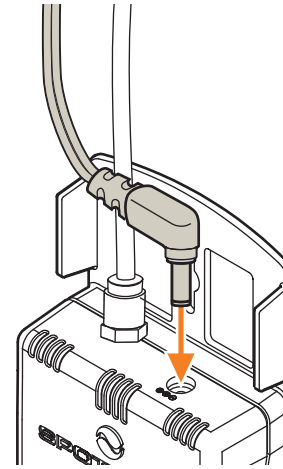
3 Temporarily position the Coverage Unit in the area that requires coverage. Make a note of the signal level your mobile phone shows at the Coverage Unit.



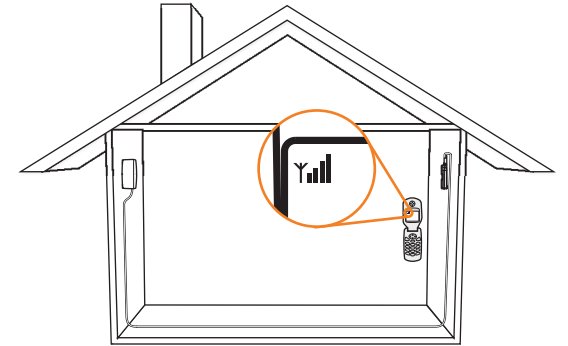
4 Connect the Network Access Unit to the Coverage Unit with the provided coaxial cable.



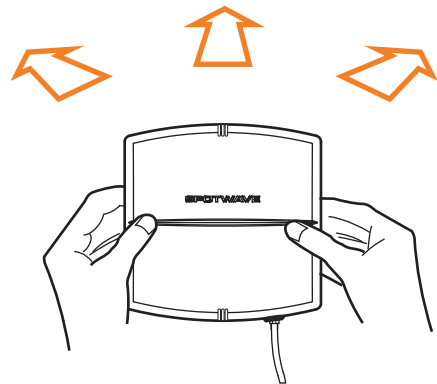
5 Connect the power cable to the Coverage Unit and then plug the adapter into a power outlet.



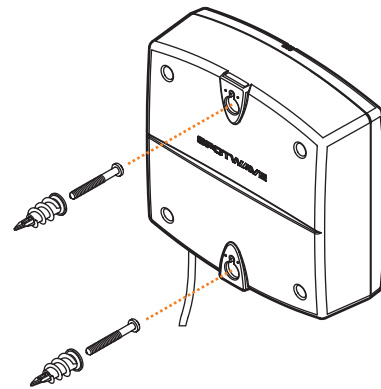
6 Verify the system is working by noting the signal level on your mobile phone and comparing it to that measured in step 3. If the signal strength is improved, go to step 8.



7 The Network Access Unit direction is a factor in the quality of coverage. You may have to try positioning the unit on different walls to achieve optimal coverage. Try to avoid pointing the Network Access Unit toward the Coverage Unit.

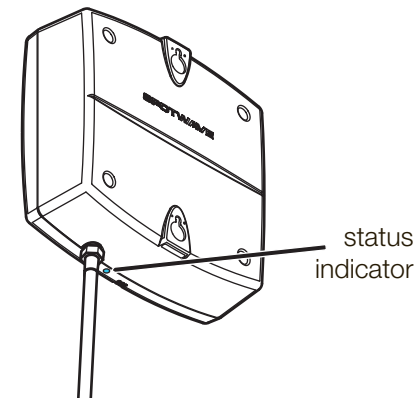


8 Permanently mount the Network Access Unit on the wall that resulted in the strongest signal level in the coverage area. For mounting options, refer to the User Manual.



9 The indicator on the Network Access Unit shows the level of product performance.

If the indicator is solid blue, go to step 11. If the indicator is off or red, then refer to the Troubleshooting section of the Z1900 User Manual for more information.



10 Move the Coverage Unit farther away from the Network Access Unit until the indicator on the Network Access Unit stays solid blue. If that is not possible, then locate the unit where the indicator remains on the longest (during the on/off flash cycle).

